

FIGHTER 240

4x2 AUTO FM240A5

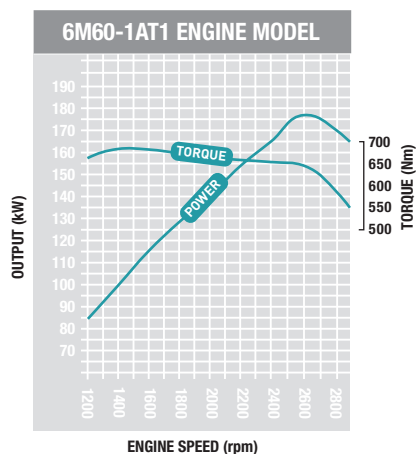
- EURO 111

*NOMINAL PAYLOAD	WB	KERB WEIGHT EST.	GVM	GCM	CODE
8.0T	4620mm	4980kg	16000kg	25000kg	FM65FJ1RFAG

* Subject to weight of body fitted

ENGINE	
Model:	6M60-1AT1 Diesel with MIQCS
Configuration:	6 cyl in line OHC, 4 valve
Type:	Turbocharged with air to air intercooler, common rail fuel system, catalytic muffler
Displacement:	7545cc
Bore:	118mm
Stroke:	115mm
Power (ECE) R85-00:	177kW (240ps) @ 2600rpm
Torque (ECE) R85-00:	686Nm @ (506lb/ft) 1400rpm
Maximum Engine Speed:	2900rpm
Compression Ratio:	17.8:1
Oil Cooler:	Plate type – water cooled
This engine complies with Euro 111 (1999/96/EC) exhaust emission standards.	

FUEL	
Injection System:	DENSO common rail system
Engine/Road Speed Control:	Electronic
Filtration:	Main filter & water separator
Tank Capacity:	185 litres
Air Cleaner:	Dual element cyclopac with vertical intake & air restriction indicator
Exhaust:	Vertical



COOLING	
Fan:	6 Blades – 520mm outer diameter
Fan Drive:	Thermo-modulated
Radiator:	Corrugated fin type with expansion tank

ELECTRICAL	
Voltage:	24v negative earth
Alternator Capacity:	24v-50 amp
Starter Capacity:	24v-5kW
Battery Capacity:	2 x 12v, 65Ah/20hr
Headlamp: • Type:	Quartz halogen multi parabola
• Capacity:	Low beam 2 x 70W High beam 4 x 70W

TRANSMISSION	
Model:	Allison MD3060P
No of Speeds:	6
Control:	Lever electronic with exhaust brake interface
Oil Cooler:	2 x oil to air
Torque Converter:	TC415-2.35 with lockup clutch
Ratios: • 1st.	3.487
• 2nd.	1.864
• 3rd.	1.409
• 4th.	1.000
• 5th.	0.750
• 6th.	0.652
• Reverse.	5.027
PTO Opening:	LH & RH engine driven

PROPELLER SHAFT	
Type:	P10
Universal Joint:	Needle roller

FRONT AXLE	
Model:	F070T
Type:	Reverse Elliot 'I' beam
Maximum Operating Capacity:	6300kg

REAR AXLE	
Model:	R060T/D8H
Type:	Full floating – hypoid
Operating Capacity:	10000kg
Ratio:	6.666:1
Design Capacity:	10200kg

STEERING	
Type:	Integral power assisted ball & nut
Ratio:	22.4:1
Steering Wheel:	450mm Urethane
Steering Column:	Tilt & telescopic adjustable with lock

BRAKES	
Type:	Full air, dual circuit, Mitsubishi taper roller with automatic brake adjustment
Size: • Front:	410 x 150mm
• Rear:	410 x 200mm
Lining – Area/Swept:	Asbestos free – 5820/9020 sq cm
Park Brake:	Rear wheel spring actuated
Auxiliary:	Exhaust brake
Compressor:	Water cooled, 340cc single cyl
Air Dryer:	Standard

FRONT SUSPENSION	
Type:	Parabolic leaf
Size:	1400 x 80 x 19mm – 4 Leaves
Capacity at Ground:	3400kg ea
Shock Absorbers:	Double acting

REAR SUSPENSION	
Type:	Semi elliptic leaf
Size:	1400 x 80 x 11mm – 10 Leaves
Auxiliary:	960 x 80 x 11mm – 10 Leaves
Capacity at Ground:	5100kg ea

CHASSIS	
Type:	Parallel channel
Size:	280 x 90 x 8mm
Width:	840mm
Tensile Strength:	55kg/mm ²
<i>Refer to FUSO bodybuilder guidelines on web site www.mmnztruckdmg.co.nz before mounting a body or modifying the chassis.</i>	

WHEELS & TYRES	
Wheel: • Type:	7, single piece disc
• Size:	22.5 x 8.25DC – 165 – 12t
• Stud Pattern:	10 x 335mm PCD
Tyre: • Size:	11R – 22.5 148/145L
Spare Tyre Carrier:	Provided

MASS (kg estimated)		
Front:	Rear:	Total:
2940kg	2040kg	4980kg
<i>Includes oil, water and 20 litres fuel.</i>		

FIGHTER 240 4x2 AUTO FM240A5 - EURO III



CAB FEATURES

Construction:	All steel forward control
Type:	Manual tilt 44 deg
Mounting:	Hydroelastic suspension, 4 point
Colour:	Natural White (W31)
Windscreen:	Laminated
	Tinted side & rear glass
Lift-up front maintenance panel	
Roof spoiler mounting points (max weight 50kg)	

PERFORMANCE

Electronically Speed Limited to (km/h):	100
Gradeability at Rated GVM:	41.5%
Gradeability at Rated GCM:	24.9%
Turning Circle (kerb to kerb):	16.2m

DIMENSIONS

Width:	Front fender:	2370mm
	Rear axle:	2435mm
Length:	Front track:	1915mm
	Rear track:	1815mm
Height:	Overall:	7945mm
	Front overhang:	1245mm
Ground clearance:	Wheel base:	4620mm
	Front axle to rear of cab:	745mm
Wheel base:	Rear of cab to vertical exhaust:	210mm
	Frame, exhaust to rear axle:	3665mm
Seating capacity:	Frame, rear axle to end:	2080mm
	Overall:	3405mm
Cab to ground:	Cab to ground:	2680mm
	Cab to frame:	1654mm
Rear frame to ground:	Rear frame to ground:	1085mm
	Ground clearance:	265mm

INSTRUMENTS

Gauges:

- Speedometer with odometer & dual trip meter

- Tachometer
- Air pressure (2)
- Fuel level
- Water temperature
- Digital clock

Warning Lamps:

- Turn signal
- High beam
- Exhaust brake
- Park brake
- Alternator
- Oil filter blockage
- Engine control (ECU)
- Air filter restriction
- Door
- Cab tilt

Warning Lamp/Buzzer:

- Air pressure
- Oil pressure
- Engine overheat/low coolant level
- Transmission oil temperature

CAB EQUIPMENT

Exterior:

- Halogen headlamps
- Orange roof lamps x 4
- Rear vision mirrors RH: Heated
LH: Remote/heated with convex spotter
- Windscreen wipers: 2 speed & intermittent

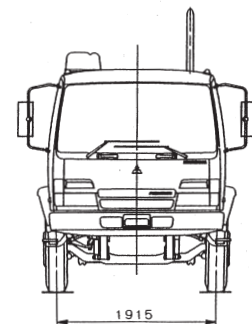
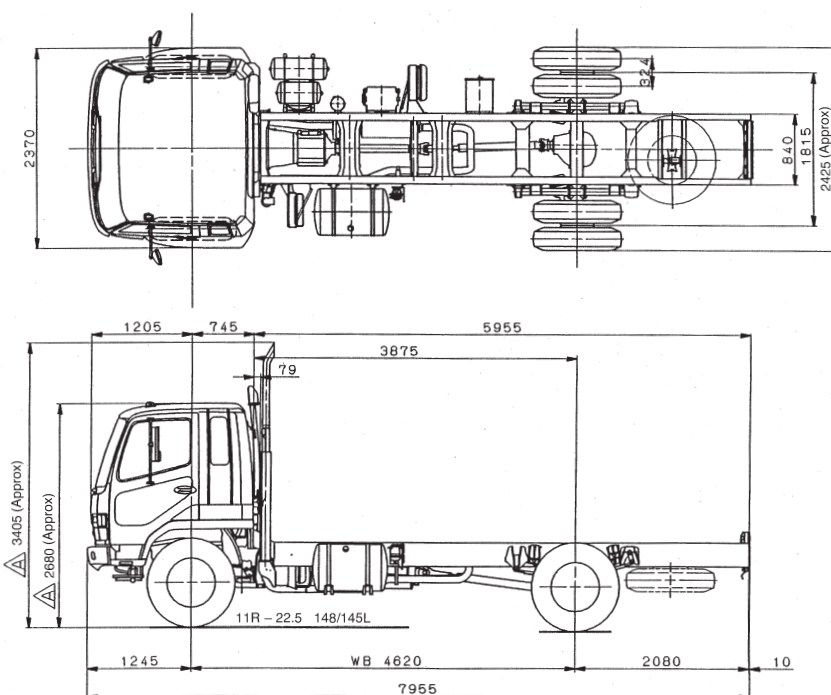
Interior:

- Fully trimmed
- Vinyl floor mat
- Seating capacity for 3

- Seats: Driver: Air suspension, 32 stage reclining, 11 stage sliding, front & rear height adjuster, lumbar support, high back with integral headrest, fabric trim
Centre: Low back with fabric trim, forward folding
LH: Fixed base, 32 stage reclining, high back with integral headrest, fabric trim
- Seat Belts: 2 x ELR lap sash, semi integrated type, 1 x lap
- Centre floor console
- Console on back of centre seat
- Storage tray under passenger seat
- Glove box x 2
- Door pockets
- Cup holders
- Overhead console pockets
- Sunvisors x 2
- Factory air conditioning
- Heater/demister
- Central locking
- Power windows
- AM/FM radio cassette player & CD
- Steering lock
- Key operated stop/start
- Engine idle speed control
- Cold start switch
- Reverse warning buzzer
- Hazard warning switch
- Fluorescent cabin lamp & spot lights
- Cigarette lighter & ash tray
- Electric horns
- Tool kit & jack
- Chassis mounted tool box

FIGHTER 240

4x2 AUTO FM240A5 -
EURO 111



A policy of continual improvement means that specifications detailed in this brochure are subject to change without notice. Your Mitsubishi FUSO Dealer will be able to confirm the exact current specifications.

