

# FIGHTER 270

## LIGHTWEIGHT 6x4 FN270K5

*NOMINAL PAYLOAD	WB	KERB WEIGHT EST.	GVM	GCM	CODE
12.5T	4300mm	6620kg	23500kg	34000kg	FN62FK2RFBA

\* Subject to weight of body fitted

### ENGINE

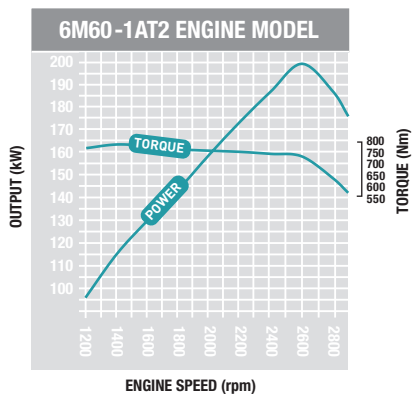
<b>Model:</b>	<b>6M60-1AT2 Diesel with MIQCS</b>
Configuration:	6 cyl in line OHC, 4 valve
Type:	Turbocharged with air to air intercooler, direct injection
Displacement:	7545cc
Bore:	118mm
Stroke:	115mm
Power (ECE):	199kW (270ps) @ 2600rpm
Torque (ECE):	785Nm (579lb/ft) @ 1400rpm
Maximum Engine Speed:	2900rpm
Compression Ratio:	17.8:1
Oil Cooler:	Plate type – water cooled
Cold Start:	Glow plugs

### FUEL

Injection System:	DENSO common rail system
Engine/Road Speed Control:	Electronic
Filtration:	Main filter & water separator
Tank Capacity:	200 litres
Air Cleaner:	Dual element cyclopac with vertical intake & air restriction indicator

### COOLING

Fan:	6 Blades – 520mm diameter
Fan Drive:	Thermo-modulated
Radiator:	Corrugated fin type with expansion tank



### ELECTRICAL

Voltage:	24v negative earth
Alternator Capacity:	24v-50 amp
Starter Capacity:	24v-5kW
Battery Capacity:	2 x 12V, 100Ah/20hr
Headlamp:	• Type: Quartz halogen multi parabola • Capacity: Low beam 2 x 70W High beam 4 x 70W

### CLUTCH

<b>Model:</b>	<b>C7M38</b>
Disc Diameter:	380mm
Type:	Single dry plate
Operation:	Air assisted hydraulic
Facing – Area:	Cerametalllic – 638.4 sq cm

### TRANSMISSION

<b>Model:</b>	<b>Eaton FS-8209</b>
No of Speeds:	9
Synchromesh:	1L~4H
Ratios:	Low High
• Low.	12.64
• 1st.	8.81 2.48
• 2nd.	6.55 1.85
• 3rd.	4.77 1.34
• 4th.	3.55 1.00
• Reverse.	13.21
PTO Opening:	LH side

### PROPELLER SHAFT

Type:	P13 P13/P8
Universal Joint:	Needle roller

### FRONT AXLE

<b>Model:</b>	<b>F070T</b>
Type:	Reverse Elliot 'I' beam
Rated Capacity:	6300kg

### REAR AXLE

<b>Model:</b>	<b>D10HT, D10H</b>
Type:	Full floating – hypoid, tandem drive with inter-axle diff lock
Rated Capacity:	21600kg
Ratio:	5.142:1

### STEERING

Type:	Integral power assisted ball & nut
Ratio:	22.4:1
Steering Wheel:	450mm, energy absorbing urethane
Steering Column:	Tilt & telescopic adjustable with lock

### BRAKES

Type:	Full air, dual circuit, Mitsubishi taper roller with automatic brake adjustment
Size:	• Front: 410 x 150mm • Rear: 410 x 200mm
Lining – Area/Swept:	Asbestos free 9144/14174 sq cm
Park Brake:	Rear wheel spring actuated
Auxiliary:	Exhaust brake
Compressor:	Water cooled, 340cc single cyl
Air Dryer:	Standard

### FRONT SUSPENSION

Type:	Parabolic leaf
Size:	1400 x 80 x 19mm – 4 leaves
Capacity at Ground:	3400kg ea
Shock Absorbers:	Double acting

### REAR SUSPENSION

Type:	Long taper leaf, 6 rod trunion
Size:	1320 x 90 x 30mm – 5 leaves
Capacity at Ground:	11000kg ea

### CHASSIS

Type:	Reinforced parallel channel
Size:	280 x 90 x 8mm
Width:	840mm
Tensile Strength:	55kg/mm <sup>2</sup>

Refer to FUSO bodybuilder guidelines on web site [www.mmnztruckdwg.co.nz](http://www.mmnztruckdwg.co.nz) before mounting a body or modifying the chassis.

### WHEELS & TYRES

Wheel:	• Type: 11, single piece disc • Size: 22.5 x 8.25DC – 165 – 12t • Stud Pattern: 10 x 335mm PCD
Tyre:	• Size: 11R – 22.5 148/145L
Spare Tyre Carrier:	Provided

### MASS (kg estimated)

Model	Front:	Rear:	Total:
	2795kg	3825kg	6620kg

Includes 20 litres of fuel, spare wheel, tyres & standard tools.

### FIGHTER 270 LIGHTWEIGHT 6x4 FN270K5



## CAB FEATURES

Construction:	All steel forward control
Type:	Manual tilt 44 deg
Mounting:	Hydroelastic suspension, 4 point
Colour:	Natural White (W31)
Windscreen:	Laminated

- Lift-up front maintenance panel
- Transom window on LH door
- Roof spoiler mounting points (max weight 50kg)
- Front air dam

## PERFORMANCE

Electronically speed limited to (km/h):	100
Gradeability at rated GVM:	37%
Gradeability at rated GCM:	24.5%
Turning circle (kerb to kerb):	16m

## DIMENSIONS

Width:	Front fender:	2370mm
	Rear axle:	2465mm
	Front track:	1915mm
	Rear track:	1845mm
	Frame:	840mm
Length:	Overall:	7525mm
	Front overhang:	1245mm
	Wheel base:	4300mm
	Rear axle spacing:	1320mm
	Front axle to rear of cab:	745mm
	Frame, rear axle to end:	1970mm
Height:	Overall:	2670mm
	Chassis height at rear axle:	1070mm
	Ground clearance:	250mm

## INSTRUMENTS

### Gauges:

- Speedometer with odometer & dual trip meter
- Tachometer
- Air pressure (2)
- Fuel level
- Water temperature
- Digital clock

### Warning Lamps:

- Turn signal
- High beam
- Exhaust brake
- Park brake
- Alternator
- Oil filter blockage
- Engine control (ECU)
- High/low range
- Air filter restriction
- Door
- Cab tilt
- Diff lock
- Glow plug indicator

### Warning Lamp/Buzzer:

- Air pressure
- Oil pressure
- Engine overheat/low coolant level

## CAB EQUIPMENT

### Exterior:

- Halogen headlamps
- Orange roof lamps x 4
- Heated rear vision mirrors
- Windscreen wipers: 2 speed & intermittent

### Interior:

- Fully trimmed
- Vinyl floor mat
- Seating capacity for 3
- Seats: Driver: Air suspension, 32 stage reclining, 11 stage sliding, front & rear height adjuster, lumbar support, high back with integral headrest, fabric trim

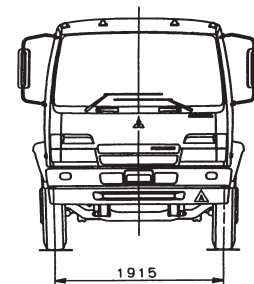
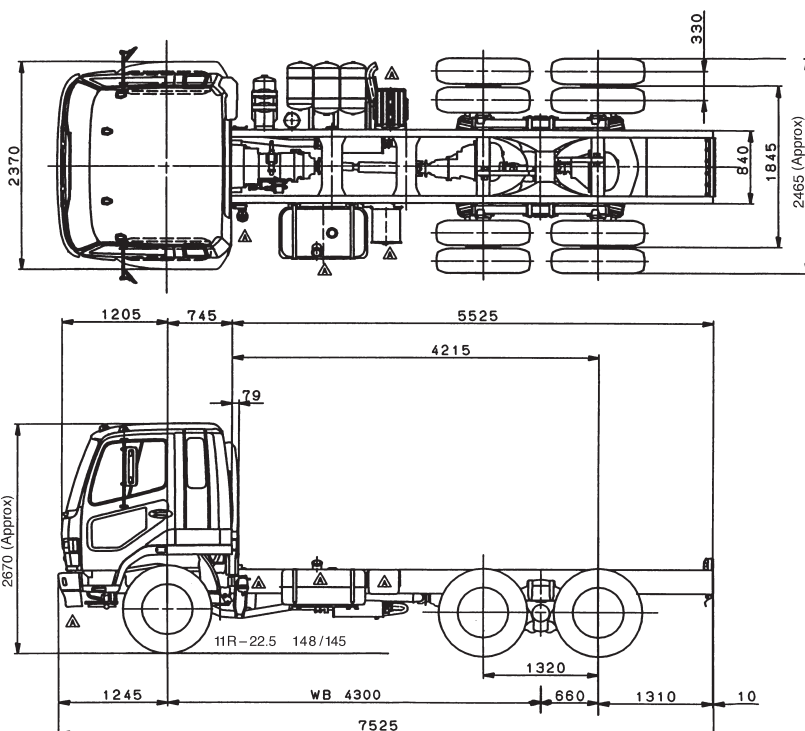
Centre: Low back with fabric trim, forward folding

LH: Fixed base, 32 stage reclining, high back with integral headrest, fabric trim

- Seat Belts: 2 x ELR lap sash, semi integrated type, 1 x lap
- Centre floor console
- Console on back of centre seat
- Glove box x 2
- Door pockets
- Cup holders
- Overhead console pockets
- Storage tray under passenger seat
- Sunvisors x 2
- Factory air conditioning
- Heater/demister
- Central locking
- Power windows
- AM/FM radio cassette player & 2 speakers
- Steering lock
- Key operated stop/start
- Engine idle speed control
- Cold start switch
- Reverse warning buzzer
- Hazard warning switch
- Fluorescent cabin lamp
- Cigarette lighter & ash tray
- Electric horns
- Tool kit & jack
- Chassis mounted tool box

# FIGHTER 270

LIGHTWEIGHT 6x4 FN270K5



A policy of continual improvement means that specifications detailed in this brochure are subject to change without notice. Your Mitsubishi FUSO Dealer will be able to confirm the exact current specifications.

