

FIGHTER 270

6x4 FN270U5

AIR SUSPENSION – EURO 111

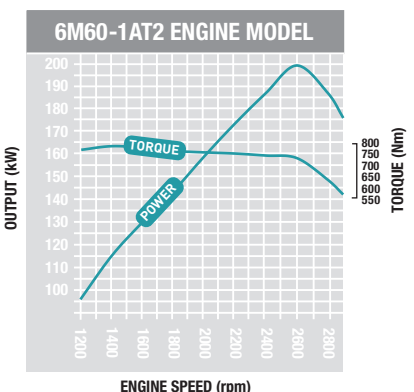
*NOMINAL PAYLOAD	WB	KERB WEIGHT EST.	GVM	GCM	CODE
12.5T	6530mm	6420kg	24000kg	34000kg	FN64FU2RFAE

* Subject to weight of body fitted

ENGINE	
Model:	6M60-1AT2 Diesel with MIQCS
Common rail fuel system.	
Configuration:	6 cyl in line OHC, 4 valve
Type:	Turbocharged with air to air intercooler, catalytic muffler
Displacement:	7545cc
Bore:	118mm
Stroke:	115mm
Power (ECE):	199kW (270ps) @ 2600rpm
Torque (ECE):	785Nm (579lb/ft) @ 1400rpm
Maximum Engine Speed:	2900rpm
Compression Ratio:	17.8:1
Oil Cooler:	Plate type – water cooled
Cold Start:	Glow plugs
This engine complies with Euro 111 (1999/96/EC) exhaust emission standards.	

FUEL	
Injection System:	DENSO common rail system
Engine/Road Speed Control:	Electronic
Filtration:	Main filter & water separator
Tank Capacity:	200 litres
Air Cleaner:	Dual element cyclopac with vertical intake & air restriction indicator
Exhaust:	Vertical

COOLING	
Fan:	6 Blades – 520mm diameter
Fan Drive:	Thermo-modulated
Radiator:	Corrugated fin type with expansion tank



FIGHTER 270 6x4 FN270U5 – EURO III



ELECTRICAL	
Voltage:	24v negative earth
Alternator Capacity:	24v-50 amp
Starter Capacity:	24v-5kW
Battery Capacity:	2 x 12v, 100Ah/20hr
Headlamp:	• Type: Quartz halogen multi parabola • Capacity: Low beam 2 x 70W High beam 4 x 70W

CLUTCH	
Model:	C7M38
Disc Diameter:	380mm
Type:	Single dry plate
Operation:	Air assisted hydraulic
Facing – Area:	Cerametallic – 638.4 sq cm

TRANSMISSION	
Model:	Eaton FS-8209
No of Speeds:	9
Synchromesh:	1L~4H Low High
Ratios:	• Low. 12.64 • 1st. 8.81 2.48 • 2nd. 6.55 1.85 • 3rd. 4.77 1.34 • 4th. 3.55 1.00 • Reverse. 13.21
PTO Opening:	LH side

PROPELLER SHAFT	
Type:	P13/P8
Universal Joint:	Needle roller

FRONT SUSPENSION	
Type:	Parabolic leaf
Size:	1400 x 80 x 19mm – 4 leaves
Capacity at Ground:	3400kg ea
Shock Absorbers:	Double acting

REAR SUSPENSION	
Type:	Trailing arm with air dump control
Air Spring:	2 x 250mm dia. per axle
Trailing Arm:	(615 + 380) x 80 x 35mm – 2 leaves
Capacity at Ground:	18000kg total
Shock Absorbers:	Double acting

STEERING	
Type:	Integral power assisted ball & nut
Ratio:	22.4:1
Steering Wheel:	450mm, energy absorbing urethane
Steering Column:	Tilt & telescopic adjustable with lock

BRAKES	
Type:	Full air, dual circuit, Mitsubishi taper roller with automatic brake adjustment
Size:	• Front: 410 x 150mm • Rear: 410 x 200mm
Lining – Area/swept:	Asbestos free 9144/14174 sq cm
Park Brake:	Rear wheel spring actuated
Auxiliary:	Exhaust brake
Compressor:	Water cooled, 340cc single cyl
Air Dryer:	Standard

FRONT AXLE	
Model:	F070T
Type:	Reverse Elliot 'I' beam
Rated Capacity:	6300kg

REAR AXLE	
Model:	D10HT, D10H
Type:	Full floating – hypoid, tandem drive with inter-axle diff lock
Rated Capacity:	18000kg
Ratio:	4.222:1

CHASSIS	
Type:	Reinforced parallel channel
Size:	280 x 90 x 8mm
Width:	840mm
Tensile Strength:	55kg/mm ²
<i>Refer to FUSO bodybuilder guidelines on web site www.mmnztruckdwg.co.nz before mounting a body or modifying the chassis.</i>	

WHEELS & TYRES	
Wheel:	• Type: 11, single piece disc • Size: 22.5 x 8.25DC – 165 – 12t • Stud Pattern: 10 x 335mm PCD
Tyre:	• Size: 275/70 R22.5 148/145L
Spare Tyre Carrier:	Provided

MASS (kg estimated)		
Front:	Rear:	Total:
2870kg	3550kg	6420kg
<i>Includes 20 litres of fuel, spare wheel, tyres & standard tools.</i>		



CAB FEATURES

Construction:	All steel forward control
Type:	Manual tilt 44 deg
Mounting:	Hydroelastic suspension, 4 point
Colour:	Natural White (W31)
Windscreen:	Laminated Tinted side & rear glass
	<ul style="list-style-type: none"> Lift-up front maintenance panel Roof spoiler mounting points (max weight 50kg)

PERFORMANCE

Electronically Speed Limited to (km/h):	100
Gradeability at Rated GVM:	35.6%
Turning Circle (kerb to kerb):	23m

DIMENSIONS

Width:	Front fender:	2370mm
	Rear axle:	2465mm
	Front track:	1915mm
	Rear track:	1845mm
	Frame:	840mm
Length:	Overall:	11030mm
	Front overhang:	1245mm
	Wheel base:	6530mm
	Rear axle spacing:	1320mm
	Front axle to rear of cab:	745mm
	Frame, rear axle to end:	3255mm
Height:	Overall:	2670mm
	Chassis height at rear axle:	970mm
	Ground clearance:	205mm

INSTRUMENTS

Gauges:

- Speedometer with odometer & dual trip meter
- Tachometer
- Air pressure (2)
- Fuel level
- Water temperature
- Digital clock

Warning Lamps:

- Turn signal
- High beam
- Exhaust brake
- Park brake
- Alternator
- Oil filter blockage
- Engine control (ECU)
- High/low range
- Air filter restriction
- Door
- Cab tilt
- Diff lock
- Glow plug indicator

Warning Lamp/Buzzer:

- Air pressure
- Oil pressure
- Engine overheat/low coolant level
- Air rear suspension

CAB EQUIPMENT

Exterior:

- Halogen headlamps
- Orange roof lamps x 4
- Rear vision mirrors RH: Heated
LH: Remote/heated with convex spotter
- Windscreen wipers: 2 speed & intermittent

Interior:

- Fully trimmed
- Vinyl floor mat
- Seating capacity for 3
- Seats: Driver: Air suspension, 32 stage reclining, 11 stage sliding, front & rear height adjuster, lumbar support, high back with integral headrest, fabric trim

Centre: Low back with fabric trim, forward folding

LH: Fixed base, 32 stage reclining, high back with integral headrest, fabric trim

- Seat Belts: 2 x ELR lap sash, semi integrated type, 1 x lap
- Centre floor console
- Console on back of centre seat
- Storage tray under passenger seat
- Glove box x 2
- Door pockets
- Cup holders
- Overhead console pockets
- Sunvisors x 2
- Factory air conditioning
- Heater/demister
- Central locking
- Power windows
- AM/FM radio cassette player & CD
- Steering lock
- Key operated stop/start
- Engine idle speed control
- Cold start switch
- Reverse warning buzzer
- Hazard warning switch
- Fluorescent cabin lamp & spot lights
- Cigarette lighter & ash tray
- Electric horns
- Tool kit & jack
- Chassis mounted tool box

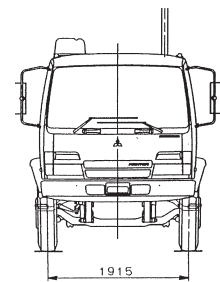
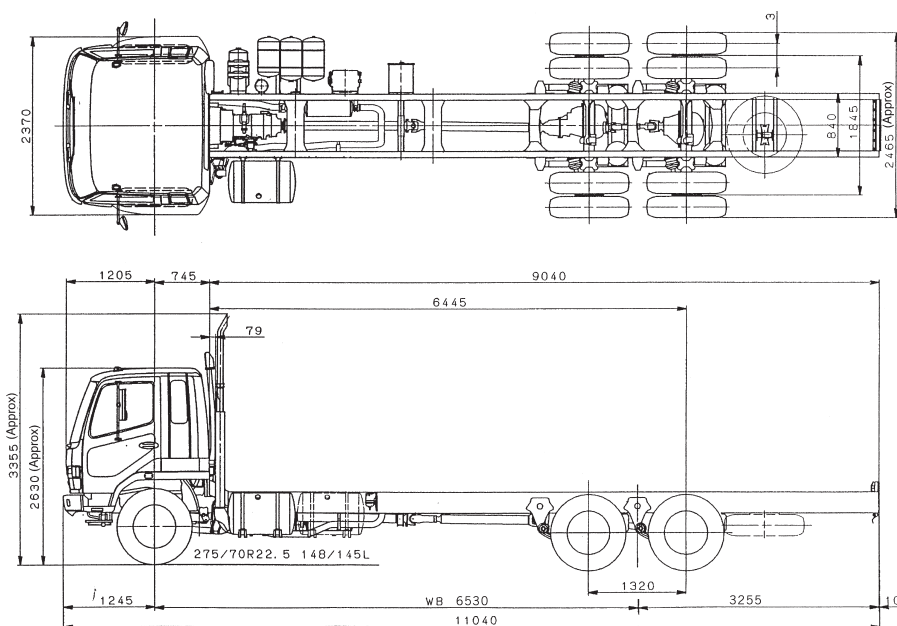
OPTIONAL EQUIPMENT

LSD to both rear axles

FIGHTER 270

6x4 FN270U5

AIR SUSPENSION - EURO 111



A policy of continual improvement means that specifications detailed in this brochure are subject to change without notice. Your Mitsubishi FUSO Dealer will be able to confirm the exact current specifications.

