

4x4 CREW CAB

CANTER 716

MANUAL WITH HIGH / LOW RANGE



GVM:
6,500kg



Power / Torque:
110kW / 370Nm



Wheelbase:
3,415mm (E)

- 30,000km service intervals
- Traction tyres
- Lockable front hubs and rear LSD
- Suspended driver's seat

SPECIFICATIONS - CANTER 716 4x4 CREW CAB

MODEL

4x4 716 CREW CAB 5 SP. MAN FGB71ER6WFBC

WHEELBASE (mm)

3,415 (E)

GVM(kg) (optional)

6,500 (5,995)

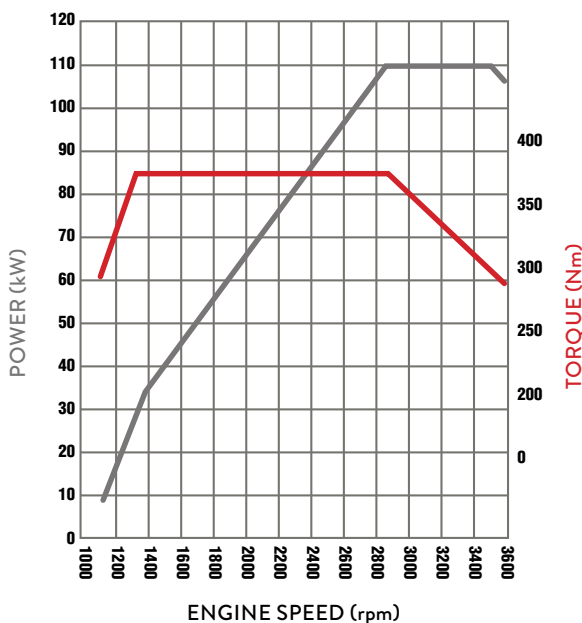
GCM (kg) (optional)

10,000 (9,500)

ENGINE

Engine Version	FUSO 4P10-T4 Euro 5 Diesel
Configuration	4 Cyl. In-line DOHC, 4-Valve
Type	Variable Geometry Turbo Charged Air to Air Intercooled
Displacement	3 litre (2998cc)
Power (DIN)	110kW @ 2840~3500rpm
Torque (DIN)	370Nm @ 1350~2840rpm
Maximum Engine Speed	4100rpm
Compression Ratio	17.5:1
Cooling System / Oil Cooler	Water cooled with Viscous fan, 14.8L capacity. Engine oil cooler
Air Cleaner	Paper Element Type with Restrictor Indicator. Vertical Intake Mounted on Clean Air Side (RH)
Cold Start Preheat	Standard
Emission Control	Diesel Particulate Filter (DPF) Exhaust Dash Display DPF Status 0~9 (Empty~Full) Parked Regeneration possible from 7~9
Emission Level	EURO 5 (ADR 80/03) and EEV rated (Enhanced Environmentally Friendly Vehicle)

4P10-T4



FUEL

Injection System	Bosch Common Rail Direct Injection Bosch Piezo Technology Injectors
Tank Type	Rectangular Steel Tank with Locking Cap
Fuel Capacity (L)	100
Filtration	Filter with Water Separator and Indicator Sensor

ELECTRICAL

Voltage	12V Negative Earth
Alternator Capacity	12V-110 amp
Battery Specification	Heavy Duty 115D31L x 2
Headlamp Type	Halogen 2 x 55W / 60W
Fog lamp in bumper	Standard

CLUTCH

Clutch Model	FUSO C4W30
Type	Single Dry Plate, Direct Hydraulic Type, 300mm

TRANSMISSION

Version	FUSO M038S5
Type/Speeds	5 Speed with In-Dash Gearshift Lever
Features	Synchromesh 2nd-5th
Ratios	1st: 5.494 4th: 1.000 2nd: 3.193 5th: 0.723 3rd: 1.689 Rev. 4.494
PTO Opening	LH Side

4x4 TRANSFER

Model	FUSO TF3 - 2 Speed
Ratio - Low	1.987
Ratio - High	1.09

FRONT AXLE

Axle Version	FUSO D1H Full Floating Hypoid with Constant Velocity Universal Joints
Hubs	Free Wheel, Manual Locking Type
Ratio	5.285:1
Design Capacity (kg)	3,100
Max Operating Capacity (kg)	2,800

FRONT SUSPENSION

Type	Multi Leaf with Double Acting Shock Absorbers
Size	1,150 x 70mm

REAR AXLE

Axle	FUSO D035 Full Floating Hypoid Type with Positive Locking Limited Slip Differential (LSD)
Ratio	5.285:1
Design Capacity (kg)	6,000
Max Operating Capacity (kg)	5,760

REAR SUSPENSION

Type	Steel Suspension
Details	Multi Leaf with Double Acting Shock Absorbers
Size Main Leaves (mm)	1,250 x 70
Size Helper Leaves (mm)	880 x 70

STEERING

Power Assisted	Tilt/Telescopic Adjustable Steering Wheel
----------------	---

SPECIFICATIONS - CANTER 716 4x4 CREW CAB

BRAKES

Type	Hydraulic Dual Circuit with Front & Rear Drums
Size Front / Rear (mm)	320 x 75 / 320 x 110
Features	ABS plus EBD (Electronic Brake Distribution) Exhaust Brake, Brake Priority System
Park Brake	Transmission Mounted

WHEELS AND TYRES

Wheel Type	7 x Single Piece Disc Rims (Including Spare)
Wheel Size	17.5 x 6.0-127
Wheel Stud Pattern	6 Stud 222.25 PCD
Tyre Size All	215 / 75R17.5 Traction Tyre
Spare Tyre Carrier	Provided

CHASSIS

Type	Reinforced Tapered Channel
Size (mm)	192 x 60 x 6
Width (mm)	750
Refer to the bodybuilders guidelines on the Fuso website (www.fuso.co.nz) before mounting a body or modifying the chassis	

INSTRUMENTS

Gauges	Speedometer with Odometer Tachometer; Fuel Level; Water Temperature
Colour Information Display	Fuel Consumption, DPF Bar Chart from 1-9, Water Temperature, Maintenance Reminder System, Date and Time, Tripmeters x 2

STANDARD FEATURES

Cab Cooling and Heating	Air Conditioner / Heater / Demister
Accessory Power	12V Accessory Power Outlet / Cigar Lighter
Driving	Keyless Central Locking, Electric Windows
Storage	Dual Overhead Storage Pockets In-Dash Centre Document Storage Door Storage Pockets, Lockable Glove Box

CAB FEATURES

Type	All Steel Forward Control Fixed
Mounting	Hydroelastic 4 Point
Interior	Fully Trimmed cab with vinyl floor covering
Seating Capacity	7
Seat (driver)	Heavy Duty Suspended with LH Arm Rest, Adjustable Lumbar Support and Weight Adjustment
Seats (passenger)	Flat Folding, 2 Passenger Bench

SERVICE INTERVALS

30,000km full service / 15,000km safety inspection
30,000km full service intervals, depending on application/use.
15,000km safety inspection, with greasing, required to maintain warranty cover and ensure optimum performance.

WARRANTY

36 months or 100,000km (whichever occurs sooner)
Subject to terms and conditions in the Fuso Warranty Booklet

SAFETY FEATURES

CAB	
Structure	ECE R-29 Reinforced Cab Side Intrusion Bar
Airbags	Driver's (steering wheel) Passenger's (dashboard) NEW
Seatbelts	ELR 3-Point (+ height-adjustable with pre tensioner for driver) Lap Belt (centre passenger)
Driver's Seat	Spring-suspended
Steering Wheel	Energy-absorbing Adjustable (height and reach)
Rearview Mirrors	Heated
Fog Lamps	Yes
Keyless Central Locking	Yes
7" Touchscreen Media Unit	AM/FM/DAB + USB + AUX NEW Apple CarPlay and Android Auto Wi-Fi enabled for Internet Radio Bluetooth 32GB capacity storage HD Reverse Camera included †

CHASSIS

Speed Limiter	Yes (activated and adjustable by FUSO dealer)
Anti-Lock Braking System (ABS)	Yes
Anti-Slip Regulator (ASR)	Yes
Electronic Brake Force Distribution (EBD)	Yes
Brake Priority System	Yes
Exhaust Brake	Yes
Hill Start Assist	Yes
Reverse Warning Buzzer	Yes
Limited Slip Diff	Yes

OPTIONS

† Additional Multimedia Display Cameras (up to 4)
Truck Specific GPS Navigation
Reversing Sensors
Tyre Pressure Monitoring System
Wireless Phone Charge Pocket

PERFORMANCE

Turning Circle (kerb to kerb - metres)	13.4
Road Speed (km/h) at Max Engine Speed	123
Engine Speed (rpm) at 90km/hr (top gear)	2660
Gradeability at Rated GVM (theoretical)*	60%

Notes *This is theoretical performance only. Actual performance may vary under different conditions

KERB WEIGHTS AND MAX AXLE LOADS (kg)

Model		Vehicle Ratings**		Max Axle Loadings**		Kerb Weights*		
		GVM	GCM	Front	Rear	Front	Rear	Total
4x4 716 Crew Cab 5 Sp. MAN	FGB71ER6WFBC	6,500	10,000	2,800	5,760	1,940	960	2,900
4x4 616 Crew Cab 5 Sp. MAN	FGB71ER6WFBC(D)	5,995	9,500	2,800	5,760	1,940	960	2,900

* Weights (est.) includes 10L fuel and spare wheel and are subject to 2.5% variation (+/-)

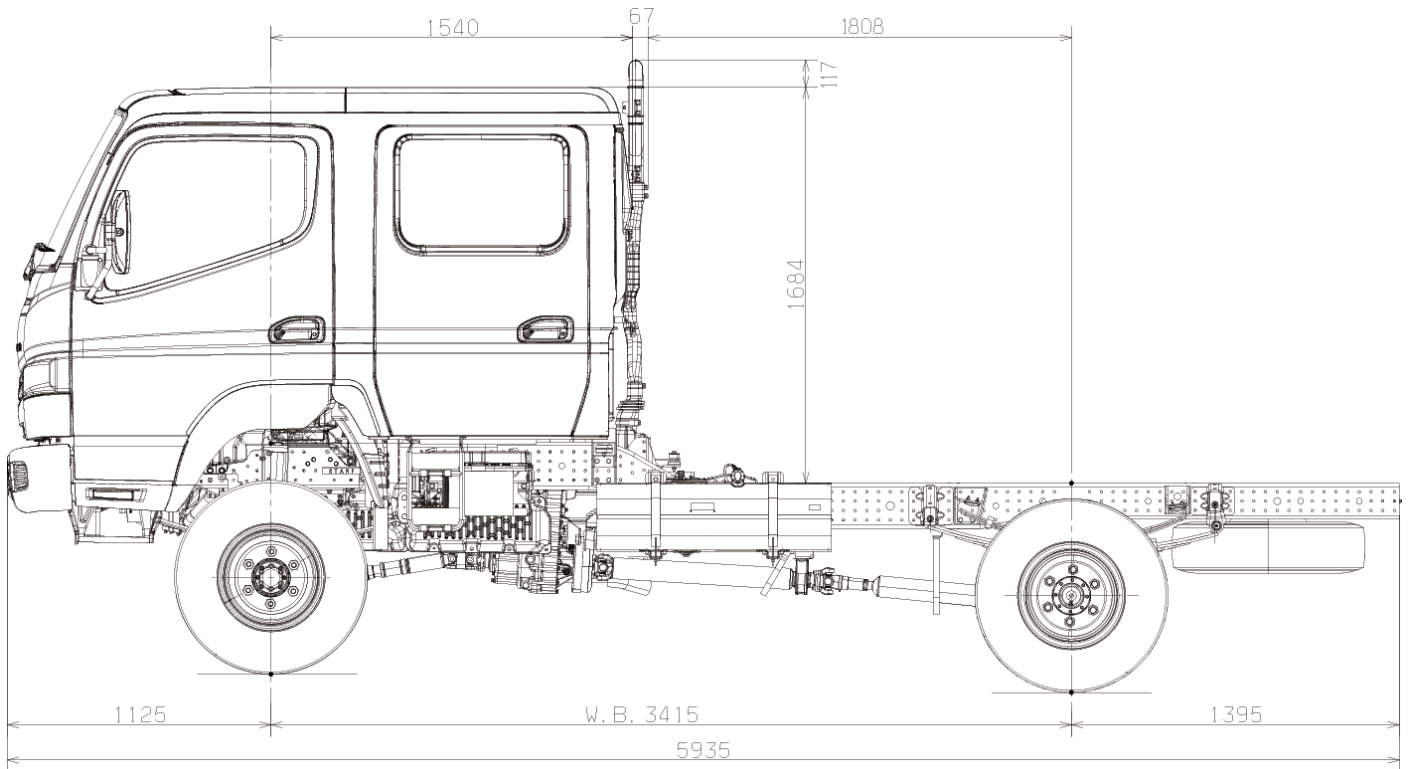
** Vehicle ratings and max axle loadings may be limited by local regulations.

SPECIFICATIONS - CANTER 716 4x4 CREW CAB

DIMENSIONS (mm)

	E Wheelbase
Wheelbase	3,415
Length Overall	5,935
Height Overall	2,620
Width Overall	2,030
Width Rear Axle	2,030

	E Wheelbase
Width Front Track	1,665
Width Rear Track	1,560
Width Frame	750
Height Frame at Rear Axle	870



CANTER CREW CAB 716 4x4 – ‘E’ WHEELBASE



Scale = 1:50 (20mm = 1 metre). This scale is accurate when used on the original spec sheet, be aware that enlarging these illustrations can alter the scale and cause incorrect measurements. Fuso New Zealand and its authorised dealers always recommend customers seek professional advice from independent sources before commencing any engineering activities.

A policy of continual improvement means that specifications detailed in this brochure are subject to change without notice. Contact your authorised Fuso dealer to confirm current specifications. Fuso is a registered trademark of Mitsubishi Fuso Truck & Bus Corporation. Copyright © Fuso NZ (2017)