

CANTER 716E4WD

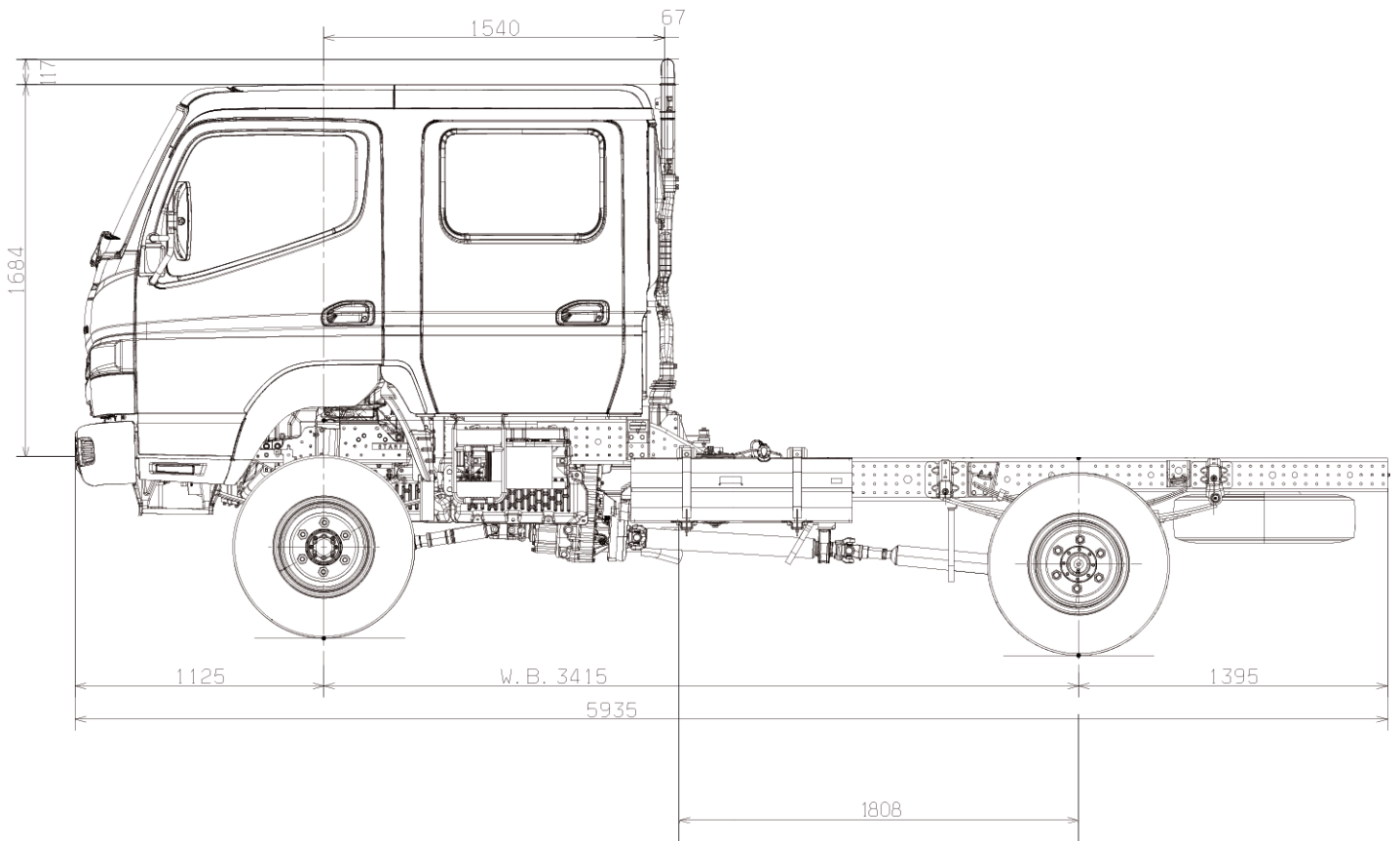
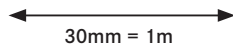


CREW CAB MANUAL | 4x4

FGB71ER6WFBG

BODYBUILDER PROFILE

PLEASE NOTE: PRINT AT 100% SIZE FOR SCALE



FGB71ER6WFBG

TECHNICAL DRAWINGS

PLEASE NOTE: PRINT AT 100% SIZE FOR SCALE

