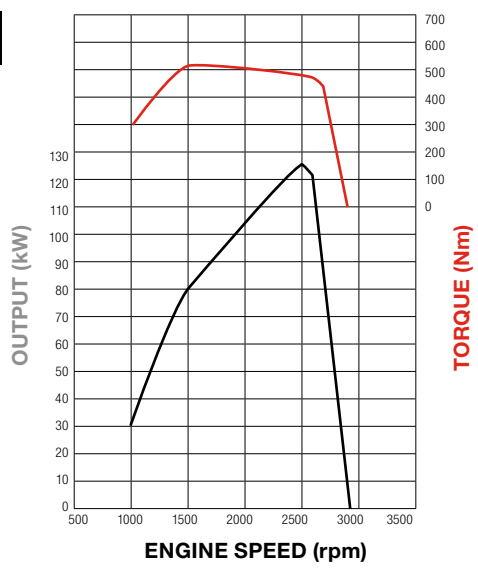




<b>Model code</b>	<b>FA917</b> FAV1PH2RFBB(D)	<b>FA1017</b> FAV1PH2RFBB
<b>Configuration</b>	4x2	4x2
<b>GVM</b>	9,000kg	10,400kg
<b>GCM</b>	11,500kg	11,500kg
<b>Axle GVM ratings</b>	Front: 3,600kg Rear: 7,500kg	
<b>Kerb weight (10L fuel)</b>	Front: 2,120kg Rear: 1,305kg Total: 3,425kg	
<b>Engine</b>	FUSO 4D37, 3.9L, 4 Cylinder	

<b>Power/Torque</b>	170hp (125kW) @ 2500rpm / 520Nm @ 1500rpm
<b>Transmission</b>	G85 6spd Manual Syncromesh Ratios: (1st - 6th): 6.696 - 3.806 - 2.289 - 1.480 - 1.000 - 0.728 - Rev: 6.294
<b>PTO (std)</b>	Output Torque: 600Nm @1500rpm Ratio : 1.607:1
<b>Axles</b>	Front: Reverse Elliot (3,600kg) Rear: Full Floating (7,500kg) Ratio : 4.560:1
<b>Suspension</b>	Multi Leaf Front and Rear with Anti Roll Bars
<b>Brakes</b>	Full Air S cam with Auto Brake Adjustment & ABS Park Brake : Rear Wheel Spring Brakes Exhaust Brake
<b>Tyres</b>	235/75R17.5
<b>Wheels</b>	6.75 x 17.5 6 Stud JIS
<b>Fuel</b>	200L + 32L Ad Blue
<b>Electrical</b>	24Volt / 80Amp Alt
<b>Performance</b>	100km/hr speed limited; Max gradability = 38%
<b>3 Seat Cab</b>	All Steel Forward Control Tilting Cab with Door Side Intrusion Bars Arctic White (AW1) <b>NEW</b> Driver's Suspension Seat with Cloth Trim ELR 3-Point Seat Belts with Centre Lap Belt Air Conditioner / Heater / Demister 12V Accessory Power Outlet Radio AM/FM + USB + Aux Central Locking / Electric Windows Speedo, Tacho, Air Gauges Dual door mirrors + LH Front and Side Safety Mirrors Speedo, Tacho, Air Gauges Fuel Level, Ad Blue Level, Engine Hours, Fuel Consumption Variable RPM Control Reverse Warning Buzzer

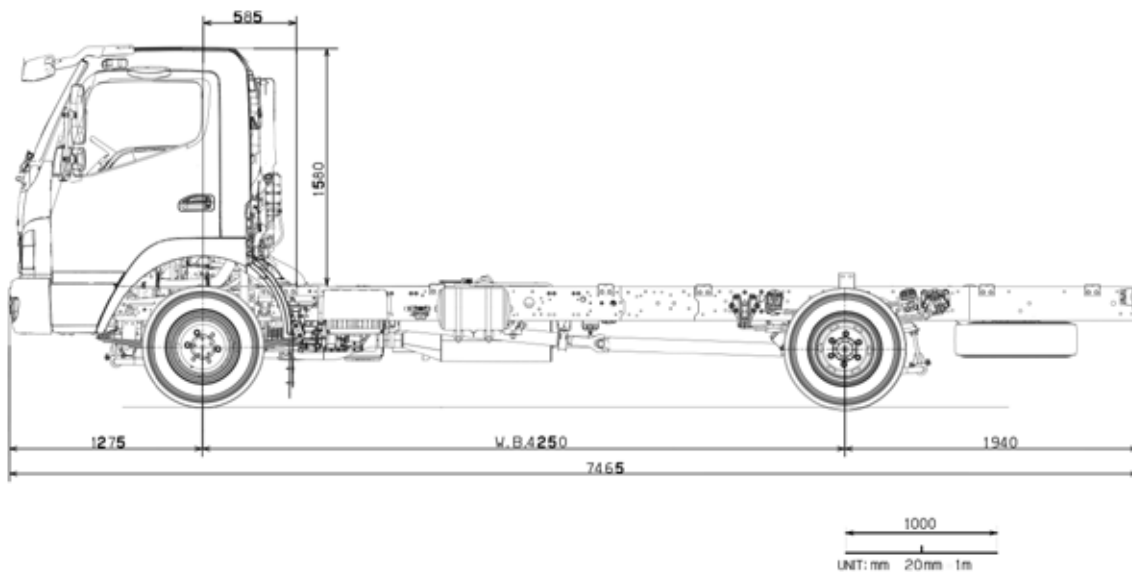
## 4D37



## DIMENSIONS

Wheelbase	4,250
Overall Length	7,465
Width	2,200
Height	2,390
Frame Height At Rear Axle	890
Rear Over Hang (ROH)	1,940
Front Track	1,790
Rear Track	1,690

Note: All dimensions are in mm



**Scale = 1:50 (20mm = 1 metre).** This scale is accurate when printed at full size (as available from your local FUSO dealer). If printing a downloaded pdf from the Fuso NZ website, please check your printer settings. Please be aware that printing these sheets at anything other than 100% size can alter the scale and cause incorrect measurements. Fuso NZ and its authorised dealers recommend customers seek professional advice from independent sources before commencing any engineering activities.

A policy of continual improvement means that specifications detailed on this sheet are subject to change without notice. Contact your authorised FUSO dealer to confirm current specifications. FUSO is a registered trademark of Mitsubishi Fuso Truck & Bus Corporation. Copyright © Fuso NZ Ltd (2022).