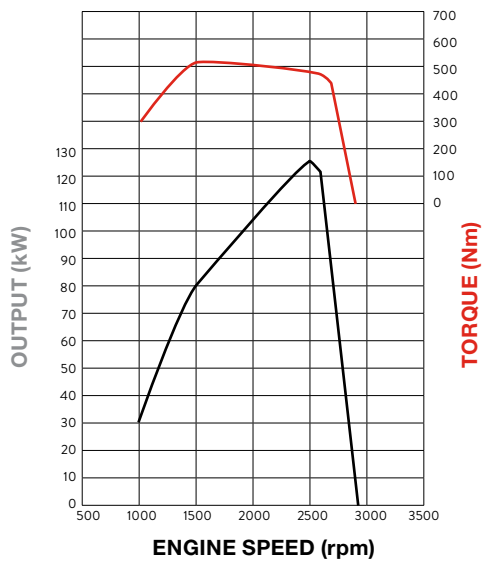




Model code	FIV1PFX2RFBA (T)
Configuration	4x2 Tipper
GVM/ GCM	12,000kg / 13,500kg
Axles & GVM ratings	Front: Reverse Elliot (5,000kg) Rear: Full Floating (10,250kg) Ratio : 6.330:1
Kerb weight (10L fuel)	Front: 3,000kg Rear: 2,710kg Total: 5,710kg
Engine	FUSO 4D37, 3.9L, 4 Cylinder
Power / torque	170hp (125kW) @ 2500rpm / 520Nm @ 1500rpm
Transmission	FUSO G85 6spd Manual Syncromesh Ratios: 6.696 - 3.806 - 2.289 - 1.480 - 1.000 - 0.728 - Rev: 6.294

4D37



PTO (Std)	Ratio / max output speed: 1.607 / 2300rpm Max Output Torque Nm: 600 Max power Output @ 1000rpm (kw): 120
Suspension	Multi Leaf front and rear with Anti Roll Bars
Brakes	Full Air S cam with Auto Brake Adjustment & ABS
Wheels / Tyres	7.5 x 22.5 8 Stud ISO Tyres: 255/70R22.5
Fuel	200L + 27L Ad Blue
Electrical	24Volt / 80Amp Alt
Performance	14.7m Turning Circle; Max gradability = 36%* *Theoretical performance only. Actual performance may vary under different conditions

3 Seat Cab	All Steel Forward Control Tilting Cab with Door Side Intrusion Bars Arctic White (AW1) NEW Driver's Suspension Seat with Cloth Trim ELR 3-Point Seat Belts with Centre Lap Belt Air Conditioner / Heater / Demister 12V Accessory Power Outlet Radio AM/FM + USB + Aux Central Locking / Electric Windows Speedo, Tacho, Air Gauges Dual door mirrors + LH Front and Side Safety Mirrors Speedo, Tacho, Air Gauges Fuel level, Ad Blue Level, Engine Hours, Fuel Consumption Variable RPM Control Reverse Warning Buzzer
-------------------	--

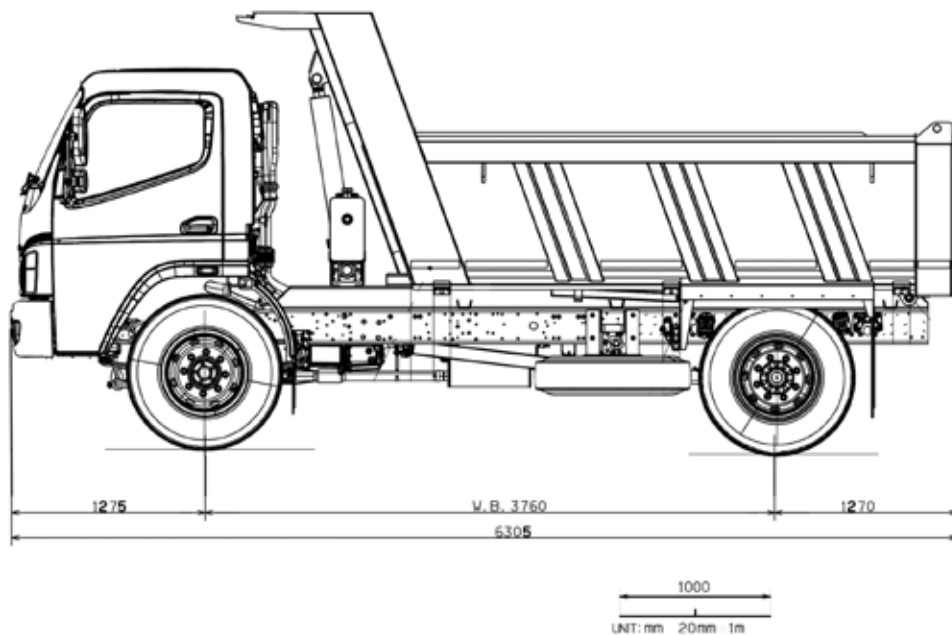
Tipper Body	6.5m ³ Internal dimensions (L x W x H): 3,744mm x 2,095mm x 836 mm
--------------------	--

Material	ST 52.3 350 grade Floor - 4mm Side and headboard - 3mm
-----------------	--

DIMENSIONS

Wheelbase	3,760
Overall Length	6,305
Overall Width	2,275
Overall Height	2,985
Frame Height At Rear Axle	970
Rear Over Hang (ROH)	1,270
Front Track	1,790
Rear Track	1,695

Note: All dimensions are in mm



Scale = 1:50 (20mm = 1 metre). This scale is accurate when printed at full size (as available from your local FUSO dealer). If printing a downloaded pdf from the Fuso NZ website, please check your printer settings. Please be aware that printing these sheets at anything other than 100% size can alter the scale and cause incorrect measurements. Fuso NZ and its authorised dealers recommend customers seek professional advice from independent sources before commencing any engineering activities.

A policy of continual improvement means that specifications detailed on this sheet are subject to change without notice. Contact your authorised FUSO dealer to confirm current specifications. FUSO is a registered trademark of Mitsubishi Fuso Truck & Bus Corporation. Copyright © Fuso NZ Ltd (2022).